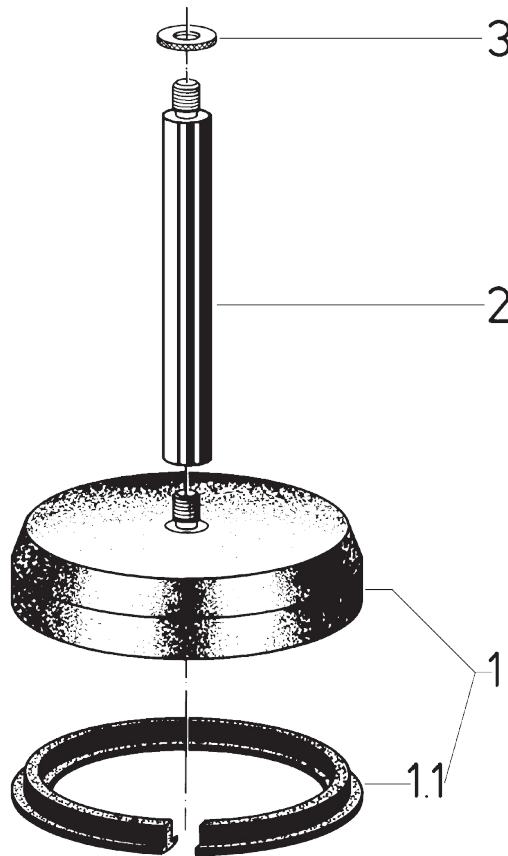


**232 Table Microphone Stand**

23200.300.01 nickel

23200.300.55 black



| pos. | description               | art.-no.<br>nickel           | art.-no.<br>black            | qty |
|------|---------------------------|------------------------------|------------------------------|-----|
| 1    | socket complete           | 6.23200.1.56                 | 6.23200.1.56                 | 1   |
| 1.1  | rubber ring               | <a href="#">03.22.030.00</a> | <a href="#">03.22.030.00</a> | 1   |
| 2    | base rod with 3/8" thread | 7.232.000101                 | 7.232.000155                 | 1   |
| 3    | aluminum threaded washer  | <a href="#">03.31.525.00</a> | <a href="#">03.31.550.15</a> | 1   |